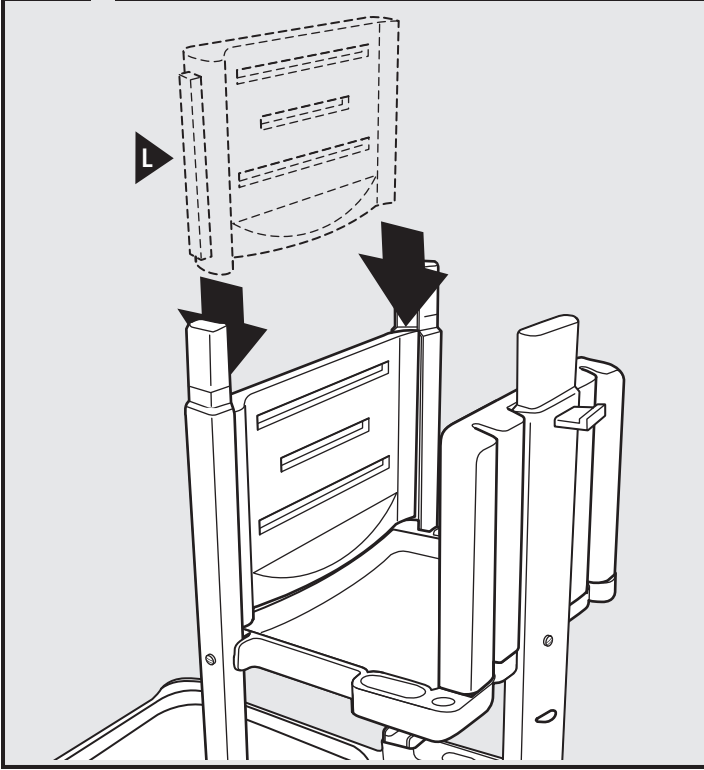


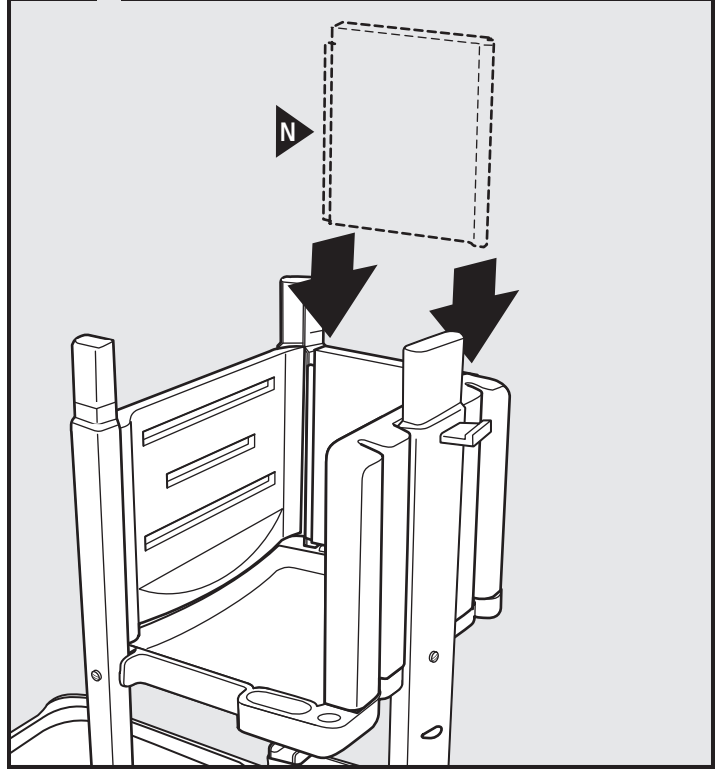
5

1861430



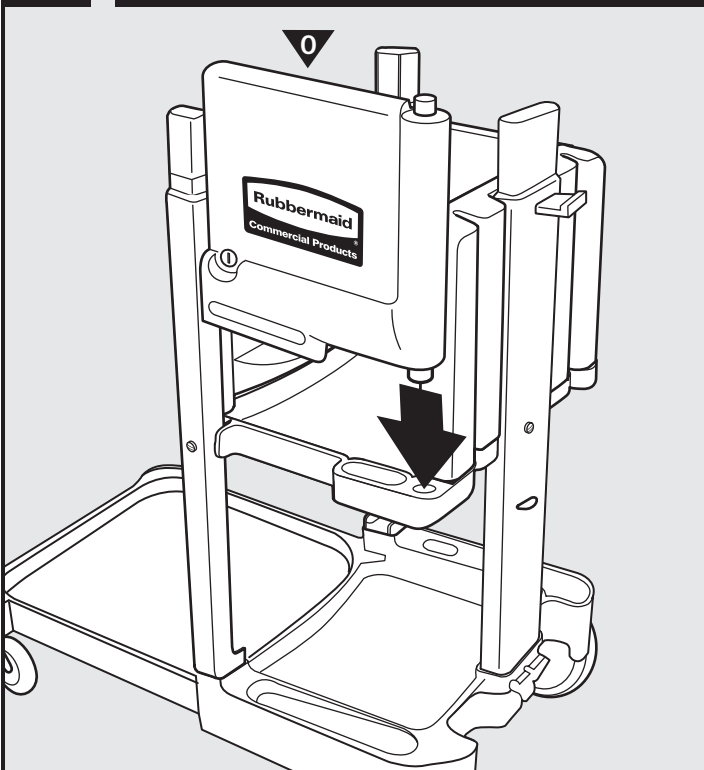
6

1861430

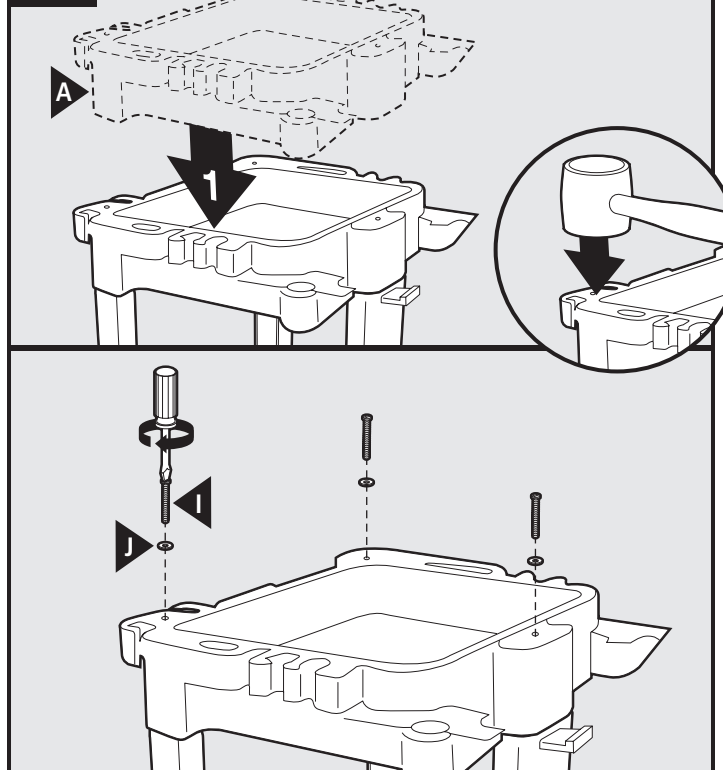


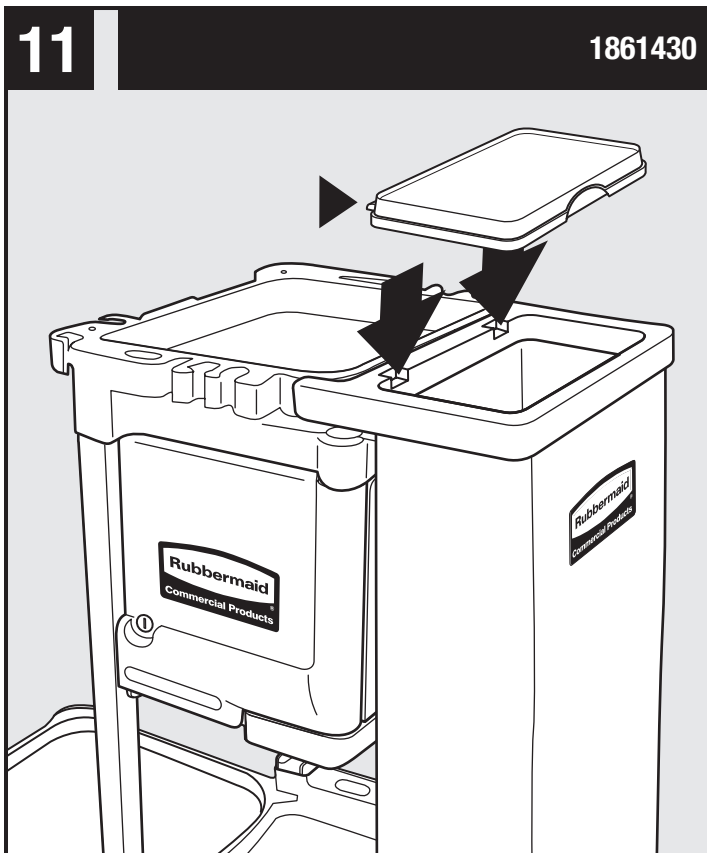
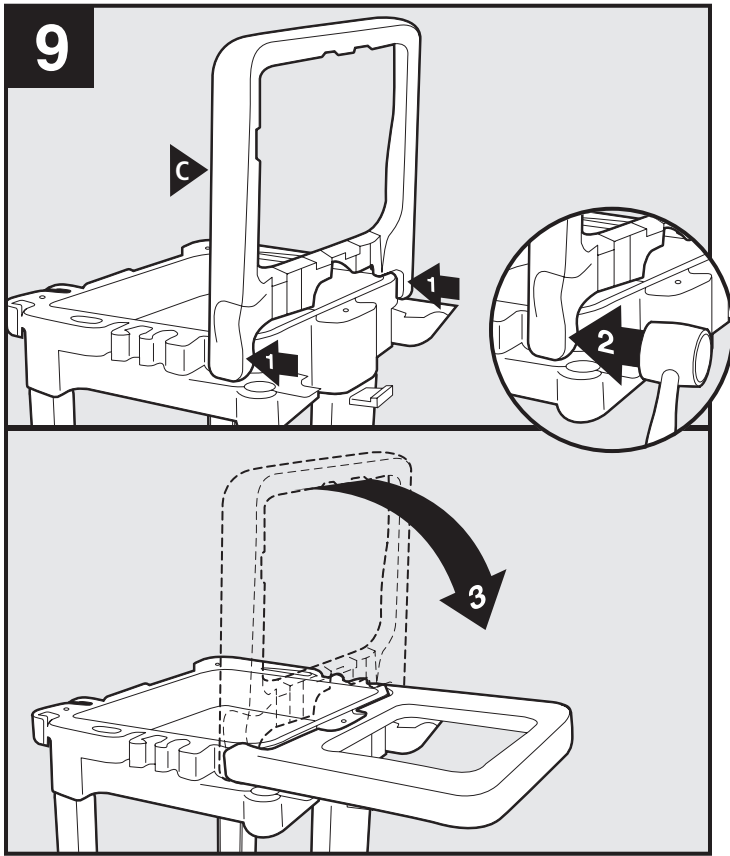
7

1861430



8





Products manufactured under quality management system registered to ISO 9001:2008
 ©2013 Rubbermaid Commercial Products LLC
 Product # FG617388, 1861430



Rubbermaid Commercial Products LLC
 3124 Valley Avenue
 Winchester, VA 22601 U.S.A.
 Phone: 1-800-347-9800
www.rubbermaidcommercial.com
 1877583