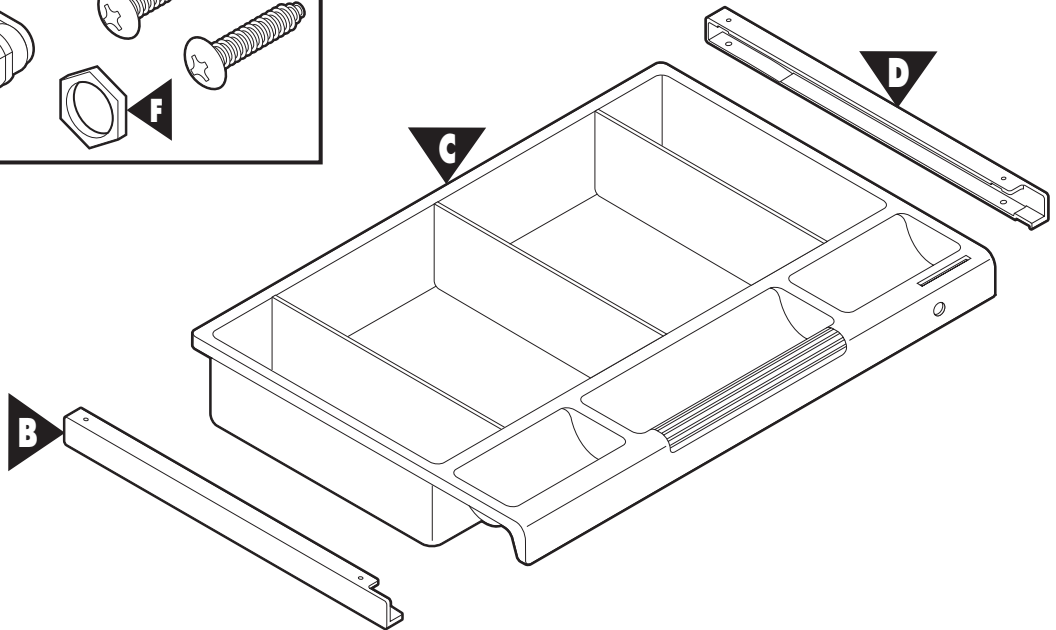
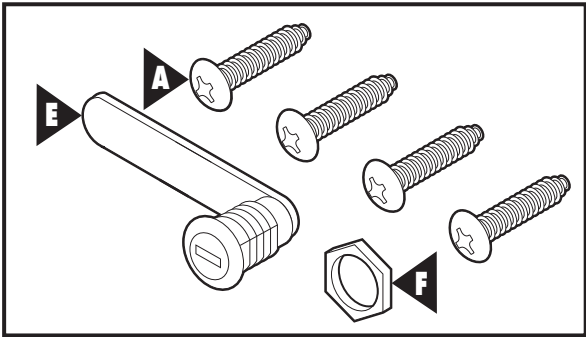
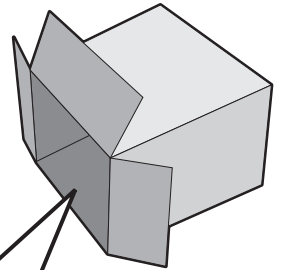
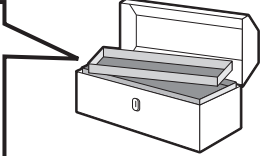
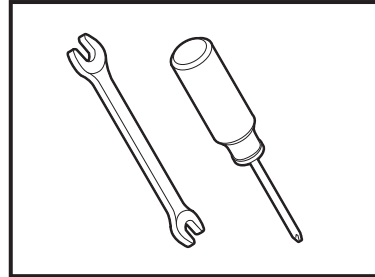
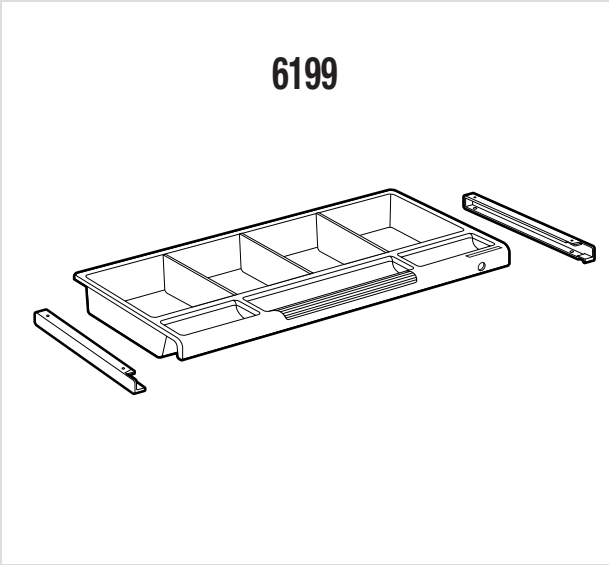
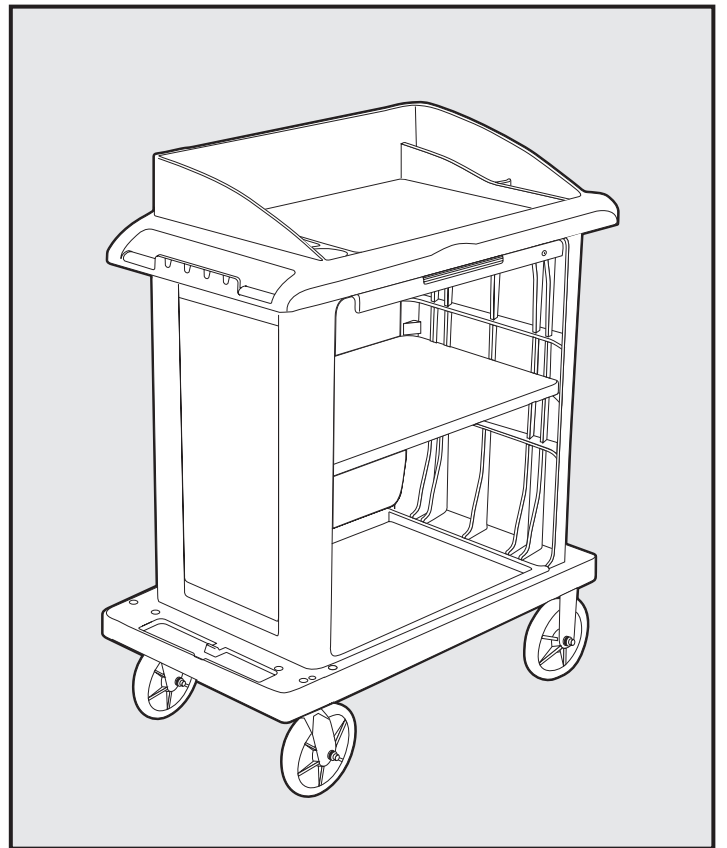
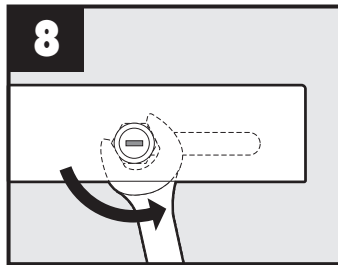
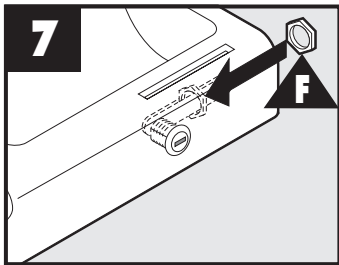
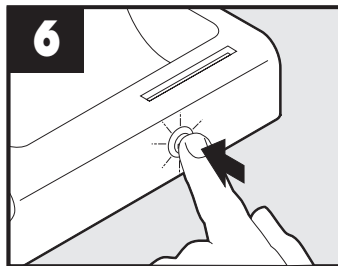
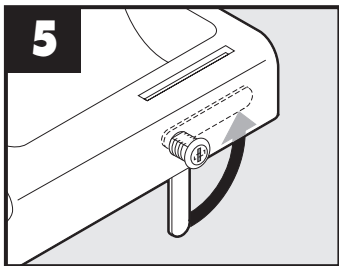
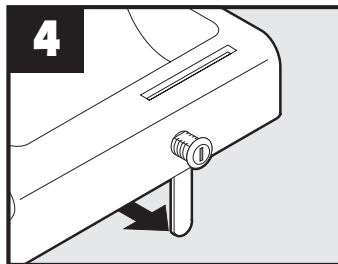
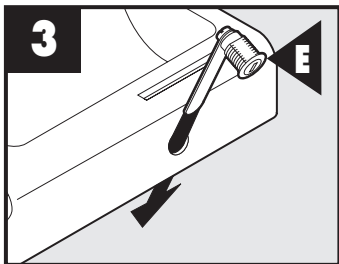
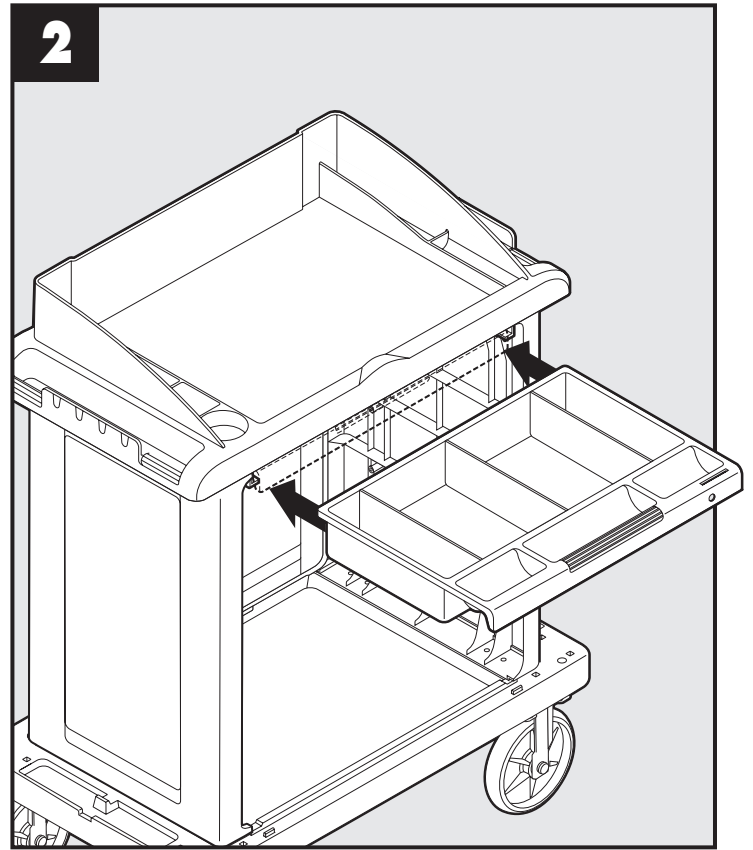
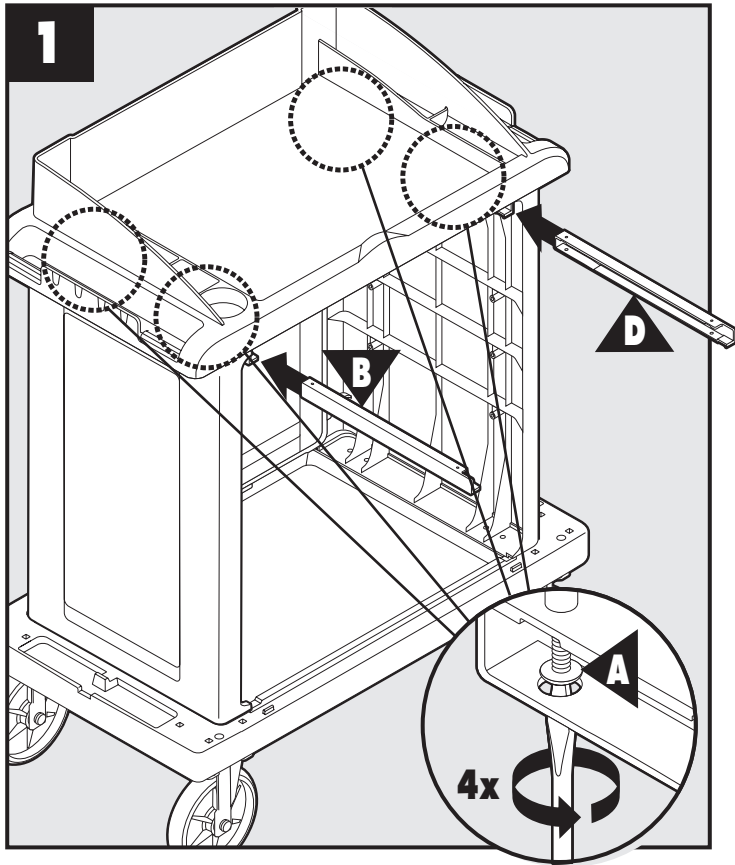




Commercial Products

6199

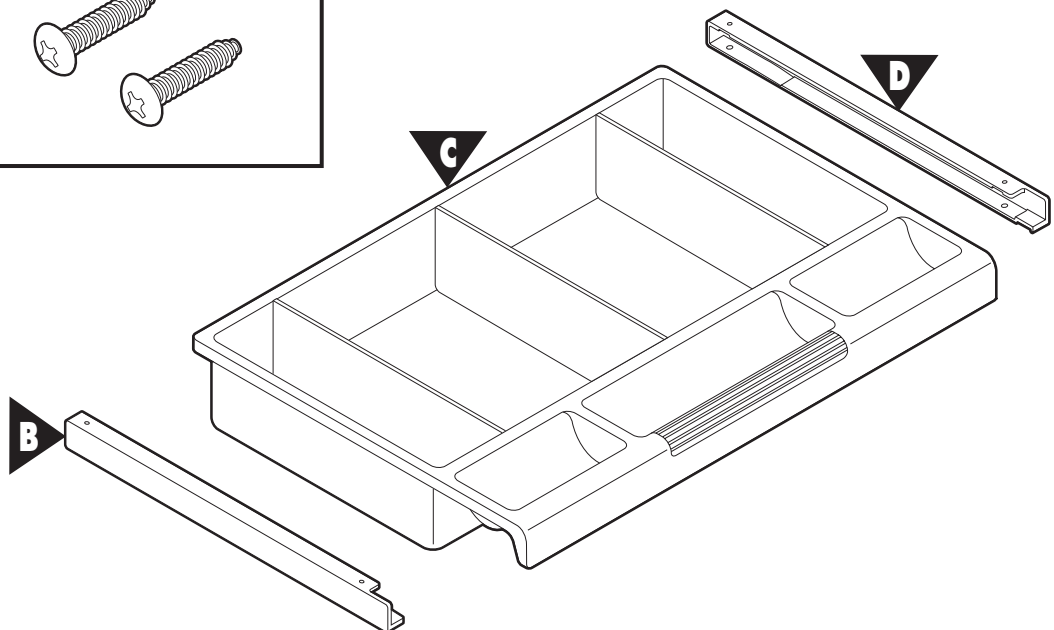
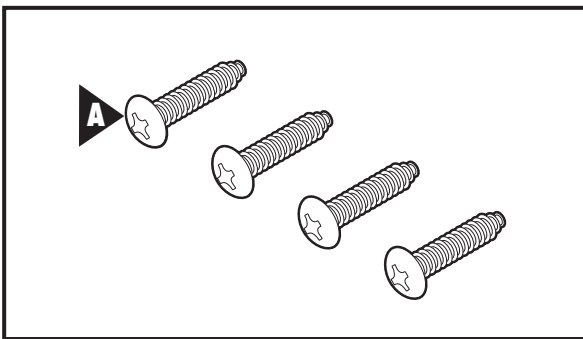
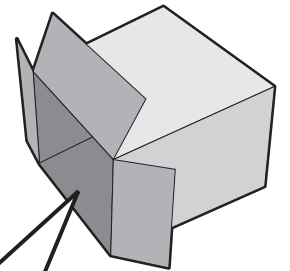
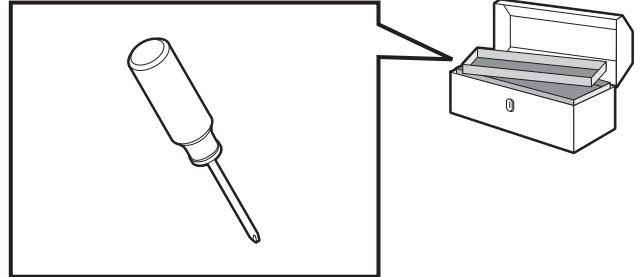
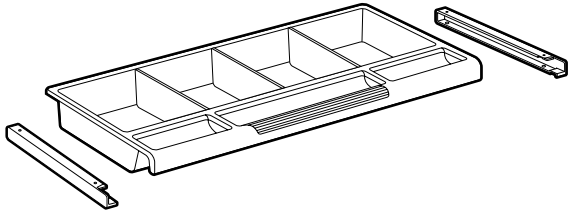


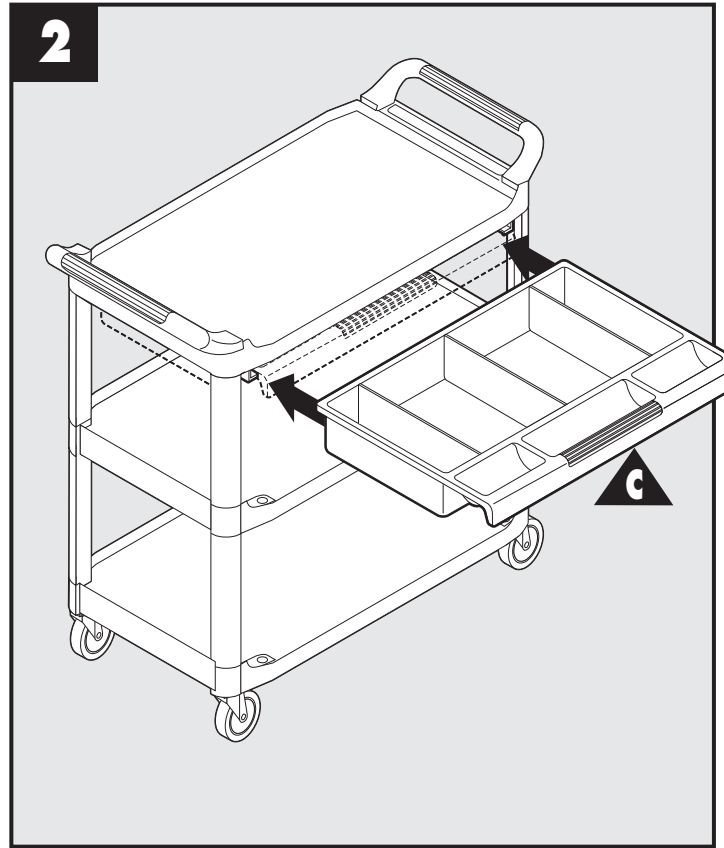
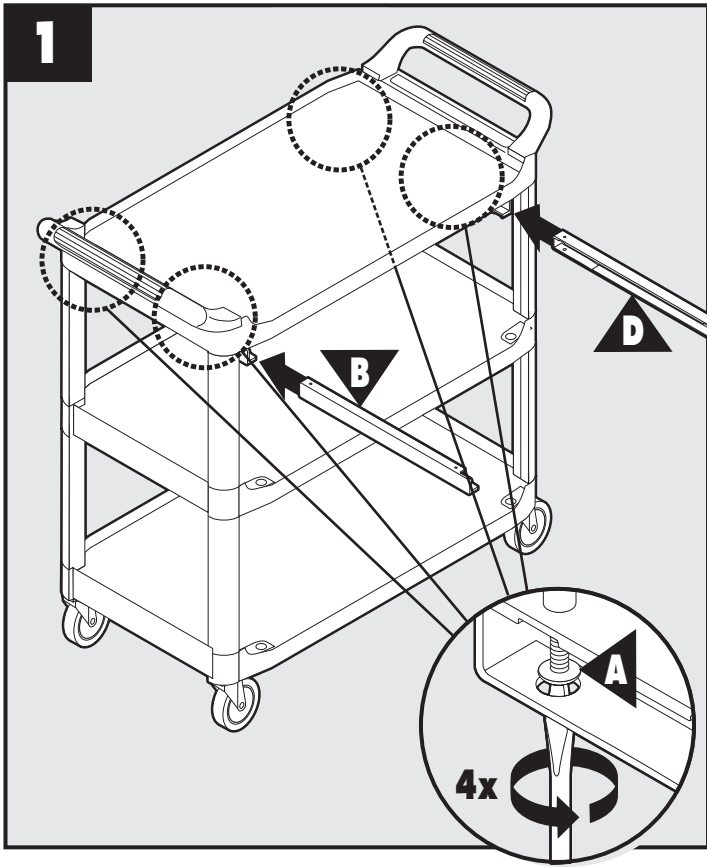


Rubbermaid®

Commercial Products

6199





Products manufactured under quality management system registered to ISO 9002
 ©2001 Rubbermaid Commercial Products LLC
 Printed in U.S.A. 6/01
Product #6199
 Instructions #70-6199-00

Rubbermaid
 Commercial Products

Rubbermaid Commercial Products LLC
 3124 Valley Avenue
 Winchester, VA 22601 U.S.A.
 Phone: 540-667-8700
 Fax: 540-542-8770
www.rubbermaidcommercial.com